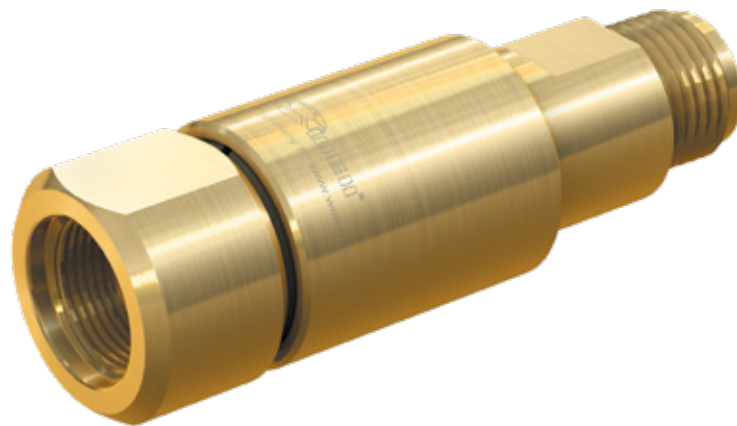


Type **TD1**

WEH[®] Swivel joint

for axial aligning of the WEH[®] Connector



General

DESCRIPTION



Features

- For free rotation of the WEH® Connector / filling hose in each position
- No twisting of filling hose
- High-grade materials

If a WEH® Connector has to be turned at zero pressure into the most convenient filling position, the TD1 swivel joint is the ideal option. It eliminates any twisting of the hose, when the cylinder is not in correct position.

The TD1 swivel joint is simply screwed onto the corresponding WEH® Connector.

Application

Swivel joint for axial aligning of the WEH® Connector.

TECHNICAL DATA

Characteristic	Basic version
Pressure range	PN = 320 bar PS = 400 bar PT = 600 bar PN = 340 bar PS = 420 bar PT = 630 bar (O ₂)
Temperature range	+5 °C up to +80 °C +5 °C up to +60 °C (O ₂)
Medium	Inert/flammable gases, oxygen
Material	Brass
Sealing material	Acc. to gas type
Registration	Adiabatic ignition test available

Other designs on request

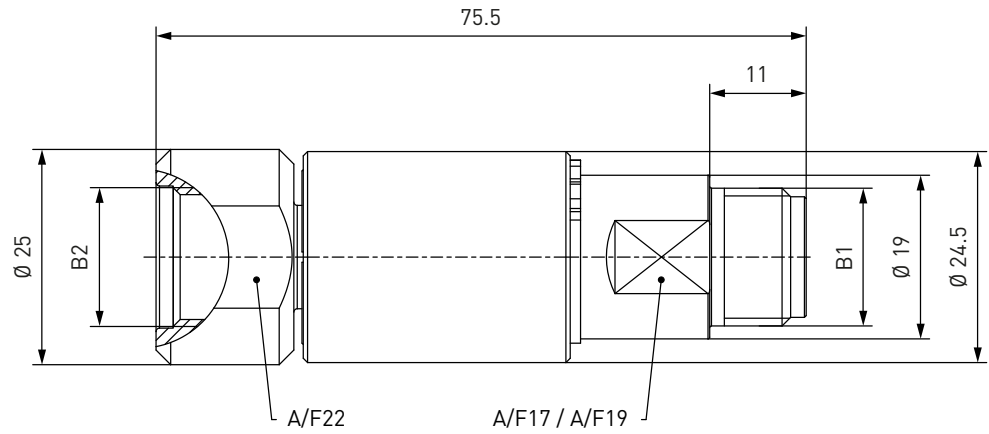
Example of use:



Ordering / Accessories

ORDERING | WEH® TD1 Swivel Joint

approx. dimensions (mm)



Part No.	Description	Inlet B1 (external thread)	Connection B2 (internal thread)
On request	TD1	M16x1.5	M16x1.5
On request	TD1	NPT 1/4"	NPT 1/4"

Other connector sizes and versions on request.

Required information for ordering see page 7, catalogue no. 20.

ACCESSORIES

The following accessories are available for the WEH® TD1 Swivel Joint:

Spare parts

Various parts are available as spares for the TD1 swivel joint:

Part No.	Description
On request	Seal set

Other products

OTHER PRODUCTS

You will find more products in our current catalogue no. 20



Further information on our homepage
www.weh.com

Abbreviations/Definition

Explanation of abbreviations see technical appendix in the catalogue or www.weh.com

Safe product selection

Our WEH® Products are designed to be operated by qualified professional users (insofar as WEH® Products are also designed to be operated by other users in individual cases, this is explicitly stated in the corresponding operating instructions). You alone are responsible for the selection of WEH® Products and their configuration according to the requirements of your system. In doing so, please particularly consider your intended use, your performance data, your material compatibility, your system concept and your system limits as well as your technical and legal requirements for operation, handling and maintenance. The quality and safety of WEH® Products is our highest priority. For this reason, WEH® Products may not be used outside the specifications in the relevant data sheets and product descriptions. We also strongly recommend that you refrain from using third-party spare parts or a combination of WEH® Products with unsuitable third-party products. You alone are responsible for reviewing the suitability of third-party products. WEH® Products and WEH® Spare parts comply with our quality and safety standards.

Explanation on the Pressure Equipment Directive

These WEH® Products are generally and exclusively classified as pressure accessories for piping in accordance with Article 2 (5) of the Pressure Equipment Directive 2014/68/EU. These WEH® Products may not be used (i) as safety accessories or (ii) for vessels as defined by the Pressure Equipment Directive 2014/68/EU. Therefore, the application of these WEH® Products must comply with their classification as pressure accessories for piping. The assessment with regard to a different classification can, however, be made on request.

External change management

WEH reserves the right to update, optimise and adjust its products continuously. This may result in corresponding changes of the product. Customers will be informed proactively or unsolicited by WEH only in individual cases about product updates, product optimisations and/or product adaptations that have been carried out. You are free to contact WEH at any time to request information about any product updates, product optimisations and/or product adjustments.

© All rights reserved, WEH GmbH. Any unauthorized use is strictly forbidden. Subject to alteration.
No liability will be assumed for any content. Herewith previous versions are no longer valid.

» Contact

For queries and further information, please do not hesitate to contact us.

Manufacturer:

WEH GmbH Precision Connectors

Josef-Henle-Str. 1
89257 Illertissen / Germany

Phone: +49 7303 9609-0

Email: sales@weh.com

www.weh.com