

# Type **TK350-TN350**

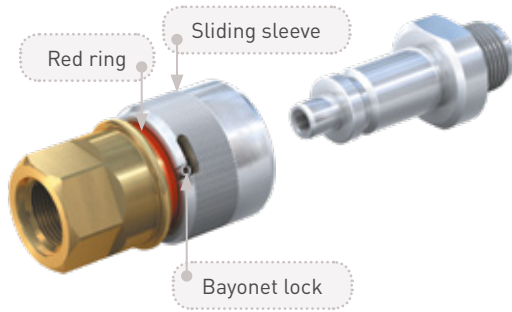
**WEH<sup>®</sup> Quick release system**

for a quick and easy changeover of WEH<sup>®</sup> Connectors



General

**DESCRIPTION**



**Features**

- Quick changeover of connectors
- Bayonet lock
- Suitable for inert/flammable gases and oxygen
- For 200 and 300 bar applications
- Can be used as a swivel joint
- High-grade materials

When changing over to gas cylinders having different cylinder valves, the filling hose has to be disconnected from the filling connector. The quick release system has solved this problem, as each WEH® Connector can use the TK350 quick release coupling and the corresponding TN350 quick release nipple fitted to the filling hose.

The quick release system is used for quick changes of WEH® Connectors, either for repair or for a changeover to another type of connector. For example a change from residual pressure to non-residual pressure connectors is easily achieved. No additional swivel joint is necessary with the TK350-TN350.

The quick release system consists of the quick release coupling type TK350 (without shut-off valve) for direct connection to the WEH® Connector types TW54, TW57 and TW67 and a quick release nipple type TN350 (without shut-off valve) for connection to the filling hose.

The TK350 coupling is hand-tightened directly to the WEH® Connector and the TN350 nipple directly to the filling hose. When changing between different cylinder valves merely disconnect coupling and nipple by unlocking the bayonet lock and pulling back the sliding sleeve of the TK350. The TN350 nipple remains mounted to the filling hose and is connected to another WEH® Connector also equipped with a type TK350 quick release system. This ensures a quick and easy changeover of filling connectors.

The TK350 quick release coupling is equipped with a red indicator ring which is not visible when correctly connected and a bayonet lock for additional safety against accidental disconnection.

**Application**

Quick release system for a quick and easy changeover of WEH® Connectors, whether for repair, to another type or a change from residual pressure to non-residual pressure cylinder valves.

**TECHNICAL DATA**

Characteristic	Basic version
Nominal bore DN	5 mm
Pressure range	PN = 300 bar   PS = 375 bar   PT = 565 bar
Temperature range	+5 °C up to +80 °C +5 °C up to +60 °C (O <sub>2</sub> )
Leak rate	1 x 10 <sup>-3</sup> mbar x l/s
Medium	Inert/flammable gases, oxygen
Actuation	Manual actuation via sliding sleeve
Material	Corrosion resistant Housing: brass Nipple: corrosion resistant stainless steel (Monel® construction: Ecobrass®)
Sealing material	Acc. to gas type
Registration	Adiabatic ignition test available

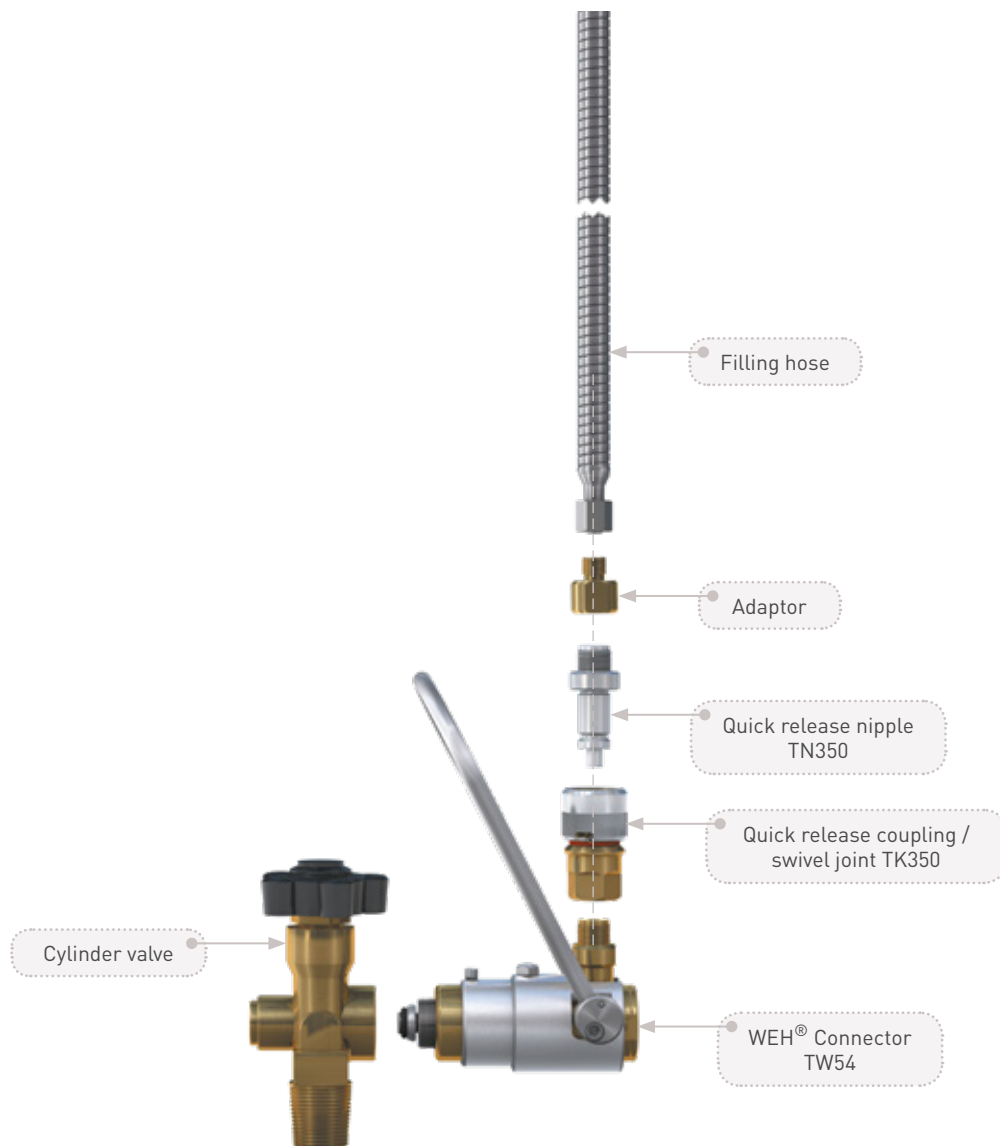
Other designs on request

**Example of use:**



System overview

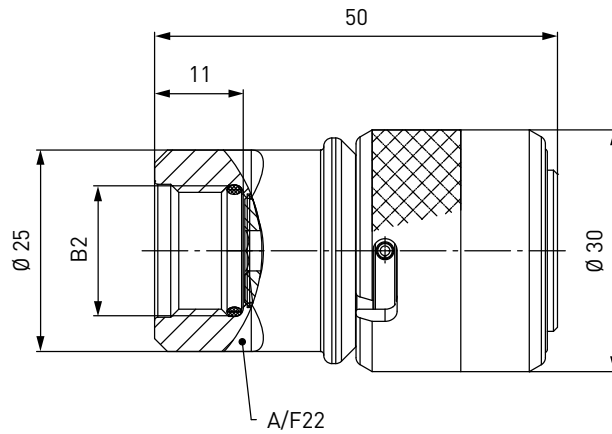
SYSTEM OVERVIEW



Ordering

**ORDERING** | WEH® TK350 Quick release coupling

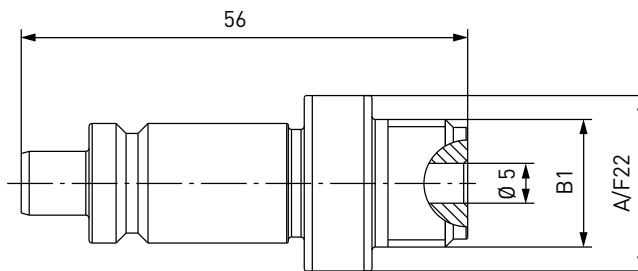
approx. dimensions (mm)



Part No.	Description	Connection B2 (internal thread)
<b>C1-91239-X01</b>	TK350	M16x1.5

**ORDERING** | WEH® TN350 Quick release nipple

approx. dimensions (mm)

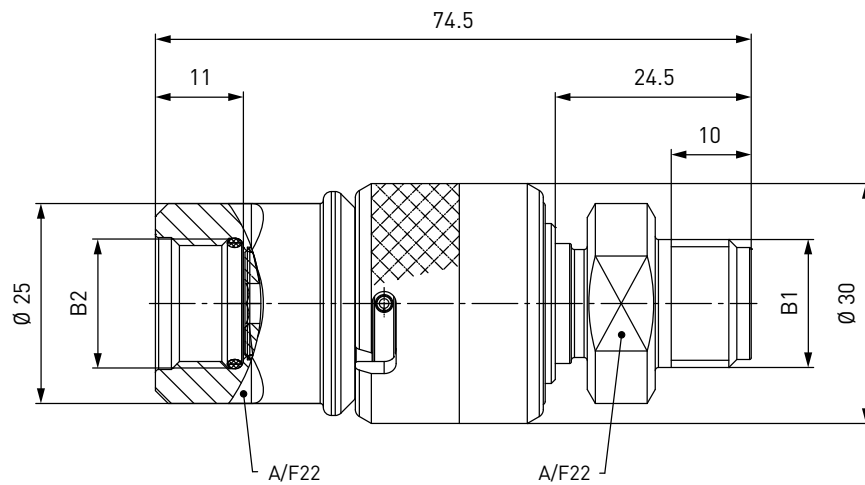


Part No.	Description	Inlet B1 (external thread)
<b>C1-91241-X01</b>	TN350	M16x1.5

Ordering / Accessories

**ORDERING** | WEH® TK350-TN350 Quick release system

approx. dimensions (mm)



Part No.	Description	Inlet B1 (external thread)	Connection B2 (internal thread)
<b>C1-91242-X01</b>	TK350-TN350	M16x1.5	M16x1.5

Other connector sizes and versions on request.

Required information for ordering see page 7, catalogue no. 20.

**ACCESSORIES**

The following accessories are available for the WEH® TK350-TN350 Quick release system:

**Monel® construction**

All pressurized parts are also available in Monel®. Please contact us!

**Adaptors**

Adaptors for connecting the TN350 quick release nipple to the filling hose are available on request.

## Other products

## OTHER PRODUCTS

You will find more products in our current catalogue no. 20



Further information on our homepage  
[www.weh.com](http://www.weh.com)

**Abbreviations/Definition**

Explanation of abbreviations see technical appendix in the catalogue or [www.weh.com](http://www.weh.com)

**Safe product selection**

Our WEH® Products are designed to be operated by qualified professional users (insofar as WEH® Products are also designed to be operated by other users in individual cases, this is explicitly stated in the corresponding operating instructions). You alone are responsible for the selection of WEH® Products and their configuration according to the requirements of your system. In doing so, please particularly consider your intended use, your performance data, your material compatibility, your system concept and your system limits as well as your technical and legal requirements for operation, handling and maintenance. The quality and safety of WEH® Products is our highest priority. For this reason, WEH® Products may not be used outside the specifications in the relevant data sheets and product descriptions. We also strongly recommend that you refrain from using third-party spare parts or a combination of WEH® Products with unsuitable third-party products. You alone are responsible for reviewing the suitability of third-party products. WEH® Products and WEH® Spare parts comply with our quality and safety standards.

**Explanation on the Pressure Equipment Directive**

These WEH® Products are generally and exclusively classified as pressure accessories for piping in accordance with Article 2 (5) of the Pressure Equipment Directive 2014/68/EU. These WEH® Products may not be used (i) as safety accessories or (ii) for vessels as defined by the Pressure Equipment Directive 2014/68/EU. Therefore, the application of these WEH® Products must comply with their classification as pressure accessories for piping. The assessment with regard to a different classification can, however, be made on request.

**External change management**

WEH reserves the right to update, optimise and adjust its products continuously. This may result in corresponding changes of the product. Customers will be informed proactively or unsolicited by WEH only in individual cases about product updates, product optimisations and/or product adaptations that have been carried out. You are free to contact WEH at any time to request information about any product updates, product optimisations and/or product adjustments.

© All rights reserved, WEH GmbH. Any unauthorized use is strictly forbidden. Subject to alteration.  
No liability will be assumed for any content. Herewith previous versions are no longer valid.

**» Contact**

For queries and further information, please do not hesitate to contact us.

Manufacturer:

**WEH GmbH Precision Connectors**

Josef-Henle-Str. 1  
89257 Illertissen / Germany

Phone: +49 7303 9609-0

Email: [sales@weh.com](mailto:sales@weh.com)

[www.weh.com](http://www.weh.com)