

# Type **TVS20**

**WEH<sup>®</sup> Vacuum pressure relief module with venting into space**

for installation in pressure systems and for protection of/under vacuum operated components



## General

## DESCRIPTION



## Features

- Effective protection of/under vacuum operated components such as vacuum pumps, sensors, etc.
- Venting into space
- Version for inert gases
- Simple design
- Easy to integrate into plants
- Retrofittable due to simple construction
- Easy to dismantle, easy to clean
- High-quality materials

The WEH® TVS20 Vacuum pressure relief module is designed to protect components operated under vacuum such as vacuum pumps, sensors etc. from overpressure. If, for example, a vacuum pump is installed in a pressure system which has a significantly higher pressure than the allowable operating pressure of the vacuum pump, the WEH® TVS20 protects the pump from damage by safely venting the overpressure into the space. Even short-term inlet pressures up to 420 bar are safely relieved in the TVS20 pressure relief module up to an overpressure of 0.2 bar in the outlet to the vacuum pump.

Suitable for pressure systems with a maximum inlet pressure of 420 bar and a nominal bore of up to 12 mm.

Various adaptors for inlet 'B1' are available for connecting the vacuum pressure relief module to the system (see accessories).

## Application

Vacuum pressure relief module with venting into space, for installation in pressure systems to protect the vacuum pump, such as in gas mixing and control plants with vacuum function, which among other things require protection in front of the vacuum pump.

## TECHNICAL DATA

Characteristics	Basic version
Nominal bore (DN) at inlet B1	12 mm
Max. inlet pressure at inlet B1	420 bar
Max. outlet pressure at outlet B1	0.2 bar
Temperature range	+5 °C up to +60 °C
Medium	Inert gases
Material	Stainless steel, brass
Sealing material	Copper, EPDM

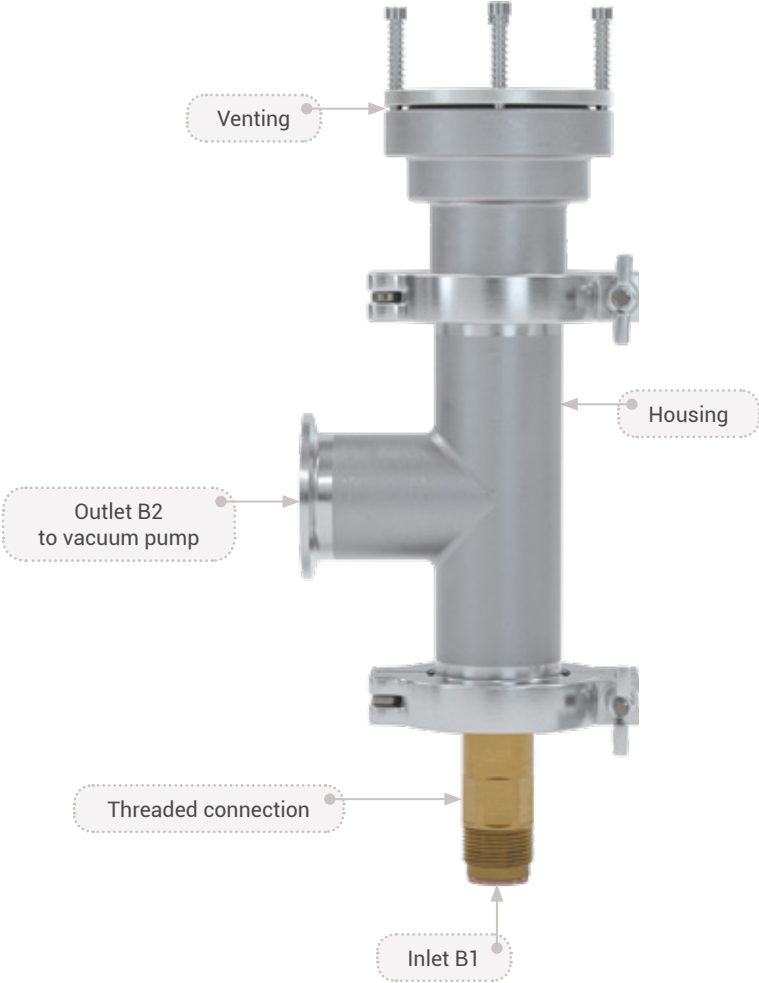
Other designs on request

## Example of use:



System overview

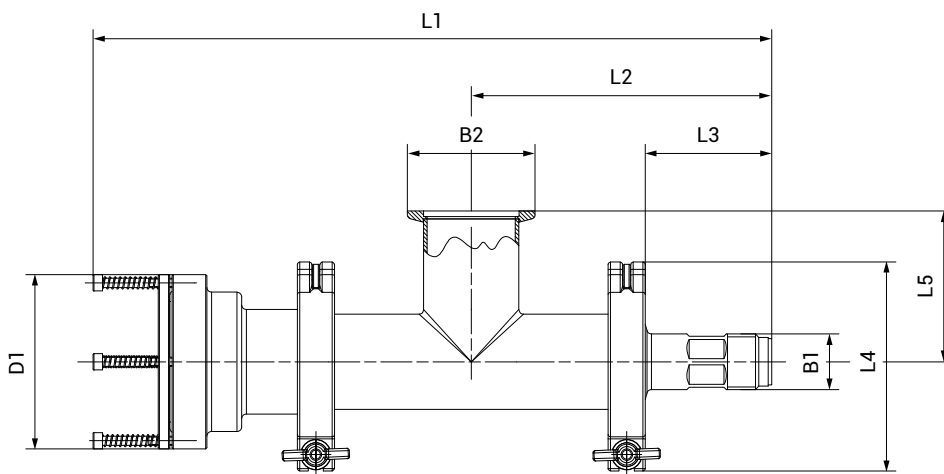
SYSTEM OVERVIEW



Ordering / Accessories

**ORDERING** | WEH® TVS20 Vacuum pressure relief module

approx. dimensions (mm)



Part no.	Description	B1 (male thread)	B2*	L1	L2	L3	L4	L5	D1
<b>C1-169470</b>	TVS20	M24x2	ISO KF flange DN 40	292	129	54	90	65	75

\* acc. to ISO 2861

Required information for ordering see page 7, catalog no. 80.

**ACCESSORIES**

The following accessories are available for the WEH® TVS20 Vacuum pressure relief module:

**Adaptors**

Stainless steel adaptors for connecting the TVS20 vacuum pressure relief module (port B1) to the system.



Part no.	Description	DN	B1	B2 (female thread)
<b>C1-99861**</b>	Adaptor	12	Tube Ø 20x4.0	M24x2
<b>W99863**</b>	Adaptor	12	Tube Ø 16x2.5	M24x2
<b>E29-162220</b>	Adaptor	12	G3/4" male thread	M24x2
<b>E29-160839</b>	Adaptor	12	NPT 3/4" male thread	M24x2

\* acc. to DIN 3852-2  
\*\* with welding socket

## Technical explanations

### TECHNICAL EXPLANATIONS

#### Abbreviations/Definitions

For explanation of abbreviations and definitions of terms see Technical Appendix of the corresponding catalog or [www.weh.com](http://www.weh.com)

#### Illustrations

The illustrations and/or images used in these data sheet are particularly provided for illustrative purposes only and may differ in some details from the actual product. For binding information, please refer to your individual orders.

#### Safe product selection

Our WEH® Products are designed to be operated by qualified professional users (insofar as WEH® Products are also designed to be operated by other users in individual cases, this is explicitly stated in the corresponding operating instructions). Please note that WEH does not know your system and therefore - also due to the large number of different potential applications of WEH® Products - cannot perform tests on all potential types of application. You alone are responsible for the selection, configuration and suitability of WEH® Products, especially according to the requirements of your system. Before purchasing WEH® Products, please particularly ensure that our products are compatible with your intended use, your performance data, your material and fluids, your system concept and your system limits according to our product specifications. Please also consider your technical and legal requirements for operation, handling and maintenance. The quality and safety of WEH® Products is our highest priority. For this reason, WEH® Products may not be used outside the specifications in the relevant data sheets and product descriptions. If you are not sure whether the WEH® Product is suitable for your system and intended use, please contact us in advance. We also strongly recommend that you refrain from using third-party spare parts or a combination of WEH® Products with unsuitable third-party products. You alone are responsible for reviewing the suitability of third-party products. WEH® Products and WEH® Spare parts comply with our quality and safety standards.

#### Service life

WEH® Products are generally products which may be subject to wear and fatigue during operation and depending on your individual application/use. For details - in particular regarding the corresponding minimum inspection and maintenance intervals - please refer to the respective operating instructions for the WEH® Product.

#### Explanation on the Pressure Equipment Directive

These WEH® Products are generally classified as pressure accessories in accordance with Article 2 (5) of the Pressure Equipment Directive 2014/68/EU and are considered to be similar to piping. These WEH® Products may not be used as safety accessories. Furthermore, it is pointed out, that these WEH® Products are designed and placed on the market in accordance with the requirements of Article 4 (3) of the Pressure Equipment Directive 2014/68/EU. The assessment with regard to a different classification can, however, be made on request.

#### External change management

WEH reserves the right to update, optimise and adjust its products continuously. This may result in corresponding changes of the product. Customers will be informed proactively or unsolicited by WEH only in individual cases about product updates, product optimisations and/or product adaptations that have been carried out. You are free to contact WEH at any time to request information about any product updates, product optimisations and/or product adjustments.

© All rights reserved, WEH GmbH. Any unauthorized use is strictly forbidden. Subject to alteration.  
No liability will be assumed for any content. Herewith previous versions are no longer valid.

#### » Contact

More questions? – Great! Don't hesitate to contact our experts.

Manufacturer:

##### **WEH GmbH Precision Connectors**

Josef-Henle-Str. 1  
89257 Illertissen / Germany

Phone: +49 7303 9609-0

E-Mail: [sales@weh.com](mailto:sales@weh.com)

Website: [www.weh.com](http://www.weh.com)