

Type **TK25 H₂**

WEH[®] Fueling nozzle for hydrogen fast filling
of buses and trucks at self-service fueling stations



General

DESCRIPTION



Features

- Compatible with WEH® TN5 H₂ receptacle profile
- Safety features when not connected
- Extremely high flow rate → short filling times
- Recirculation of the vented gas
- Plastic thermal protection
- WEH® Jaw locking mechanism
- High-grade materials
- Coding for pressure range / gas type

The WEH® TK25 H₂ Fueling nozzle meets all requirements placed on a fueling nozzle for bus and truck refueling. Thus making hydrogen refueling as easy as gasoline refueling. Simply place the TK25 H₂ fueling nozzle onto the receptacle and with a 180° turn of the actuation lever the filling procedure can start.

The internal coding for pressure range and gas type ensures that the TK25 H₂ with data interface can be connected to the compatible WEH® Receptacles according to the opposite table and also prevents the risk of confusion with natural gas.

The WEH® TK25 H₂ offers optimum safety to the operator. The fueling nozzle remains connected to the receptacle until the gas between inlet valve and receptacle is depressurized.

		TN5 H ₂	
		25 MPa	35 MPa
TK25 H ₂	25 MPa	✔	✔
	35 MPa		✔

Application

Fueling nozzle for H₂ fast filling of buses and trucks at self-service fueling stations.

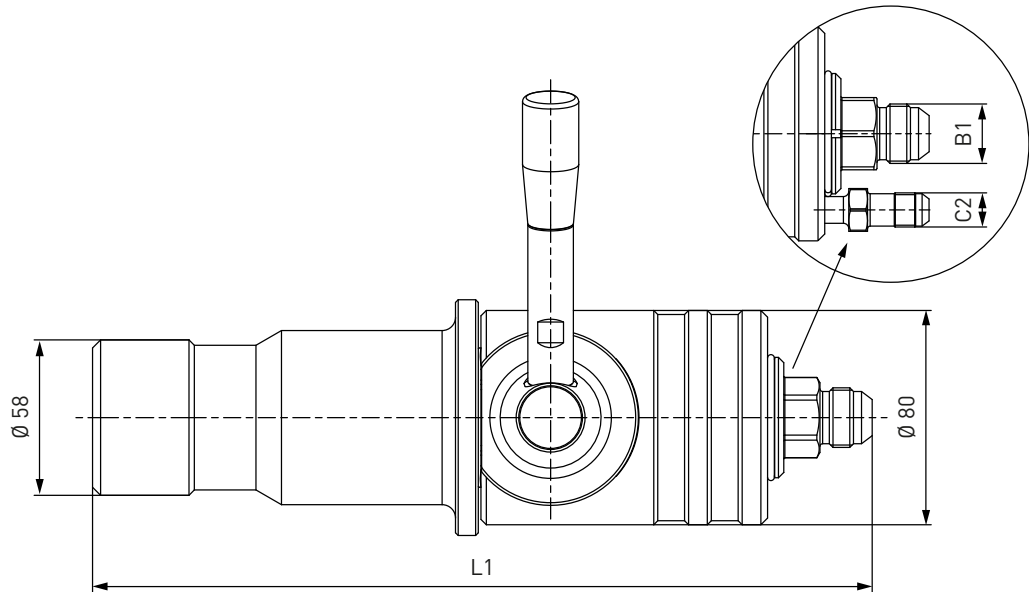
TECHNICAL DATA

Characteristics	Basic version	Options
Nominal bore (DN)	12 mm	On request
Pressure range	PN = 25 MPa (3,600 psi) PS = 35 MPa PN = 35 MPa (5,000 psi) PS = 45 MPa	
Temperature range	-40 °C up to +85 °C (-40 °F up to +185 °F)	On request
Material	Corrosion resistant	On request
Sealing material	Hydrogen resistant	On request
Design	With plastic thermal protection and gas recirculation	On request
Weight	Approx. 4.6 kg (10.14 lbs.)	

Ordering / Accessories

ORDERING | WEH® TK25 H₂ Fueling nozzle

approx. dimensions (mm)



Part No.	Description	Pressure (PN)	B1 (male thread)	C2 (male thread)	L1
C1-62529-X01	TK25 H ₂	25 MPa / 3,600 psi	UNF 7/8"-14*	UNF 9/16"-18*	290
C1-62527-X1-X01	TK25 H ₂	35 MPa / 5,000 psi	UNF 7/8"-14*	UNF 9/16"-18*	297

* acc. to SAE J514, 37°

Fueling assemblies consisting of fueling nozzle, hose set and breakaway coupling are available on request.

ACCESSORIES

The following accessories are available for the WEH® TK25 H₂ Fueling nozzle:

Filling and venting hoses

Filling and venting hose for connecting fueling nozzle and TSA5 H₂ breakaway coupling, complete with fittings and press-fittings supported by coil spring stubs.

Design: max. operating pressure PS: 45 MPa (6,530 psi) / nominal bore (DN): 6.35 mm



Part No.	B1/B2 (female thread)	C1/C2 (female thread)	Hose length
C1-152552	UNF 7/8"-14*	UNF 9/16"-18*	3 m
E68-152553	UNF 7/8"-14*	UNF 9/16"-18*	4 m
E68-152554	UNF 7/8"-14*	UNF 9/16"-18*	5 m

* acc. to SAE JIC, 37°

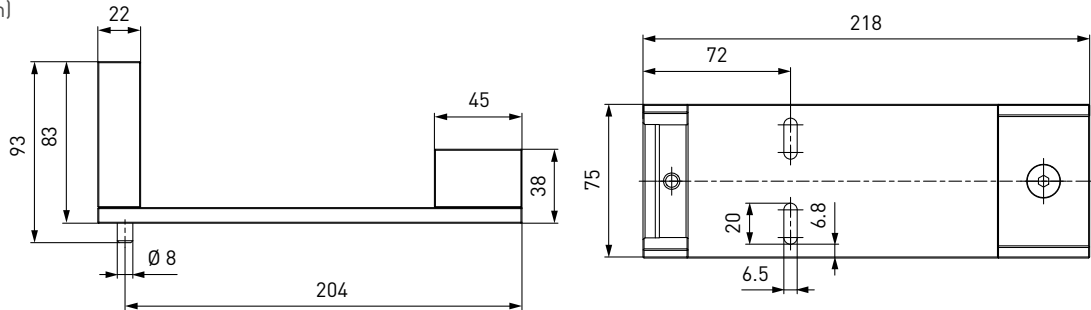
Accessories

Dispenser mounting

Mounting for safe attachment of the fueling nozzle to the dispenser. Design: Aluminium, stainless steel

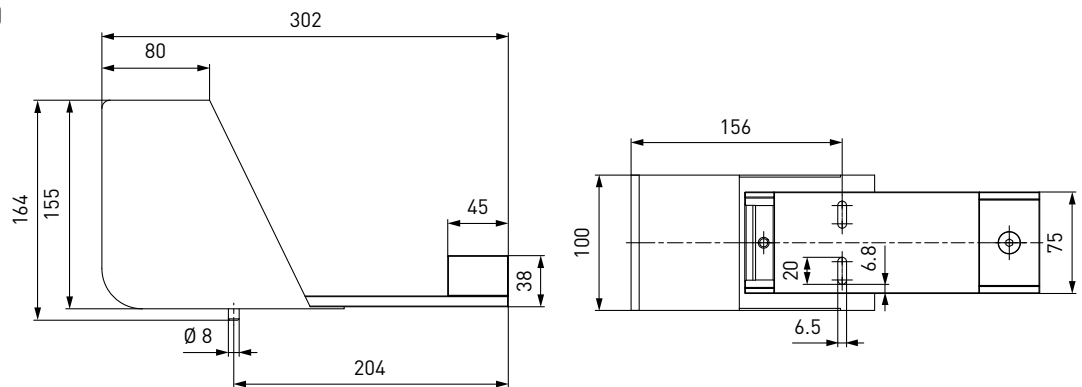
Switch actuated mounting (C1-83005)

approx. dimensions (mm)



Switch actuated mounting with weather protection (C1-82153)

approx. dimensions (mm)



Part No.	Description
C1-83005	Mounting (switch actuated)
C1-82153	Mounting (switch actuated) and weather protection

Fittings

Stainless steel fittings for connecting port 'B1' to the filling hose resp. the port 'C2' to the venting hose are available on request.

SPARE PARTS

Various parts are available as spares for the WEH® TK25 H₂ Fueling nozzle.



Part No.	Description
W6631	1 Actuation lever
E99-44923	Maintenance spray

Technical explanations

TECHNICAL EXPLANATIONS

Abbreviations/Definitions

For explanation of abbreviations and definitions of terms see Technical Appendix of the corresponding catalog or www.weh.com

Illustrations

The illustrations and/or images used in these data sheet are particularly provided for illustrative purposes only and may differ in some details from the actual product. For binding information, please refer to your individual orders.

Safe product selection

Our WEH® Products are designed to be operated by qualified professional users (insofar as WEH® Products are also designed to be operated by other users in individual cases, this is explicitly stated in the corresponding operating instructions). Please note that WEH does not know your system and therefore - also due to the large number of different potential applications of WEH® Products - cannot perform tests on all potential types of application. You alone are responsible for the selection, configuration and suitability of WEH® Products, especially according to the requirements of your system. Before purchasing WEH® Products, please particularly ensure that our products are compatible with your intended use, your performance data, your material and fluids, your system concept and your system limits according to our product specifications. Please also consider your technical and legal requirements for operation, handling and maintenance. The quality and safety of WEH® Products is our highest priority. For this reason, WEH® Products may not be used outside the specifications in the relevant data sheets and product descriptions. If you are not sure whether the WEH® Product is suitable for your system and intended use, please contact us in advance. We also strongly recommend that you refrain from using third-party spare parts or a combination of WEH® Products with unsuitable third-party products. You alone are responsible for reviewing the suitability of third-party products. WEH® Products and WEH® Spare parts comply with our quality and safety standards.

Service life

WEH® Products are generally products which may be subject to wear and fatigue during operation and depending on your individual application/use. For details - in particular regarding the corresponding minimum inspection and maintenance intervals - please refer to the respective operating instructions for the WEH® Product.

Explanation on the Pressure Equipment Directive

These WEH® Products are generally classified as pressure accessories in accordance with Article 2 (5) of the Pressure Equipment Directive 2014/68/EU and are considered to be similar to piping. These WEH® Products may not be used as safety accessories. Furthermore, it is pointed out, that these WEH® Products are designed and placed on the market in accordance with the requirements of Article 4 (3) of the Pressure Equipment Directive 2014/68/EU. The assessment with regard to a different classification can, however, be made on request.

External change management

WEH reserves the right to update, optimise and adjust its products continuously. This may result in corresponding changes of the product. Customers will be informed proactively or unsolicited by WEH only in individual cases about product updates, product optimisations and/or product adaptations that have been carried out. You are free to contact WEH at any time to request information about any product updates, product optimisations and/or product adjustments.

© All rights reserved, WEH GmbH. Any unauthorized use is strictly forbidden. Subject to alteration.
No liability will be assumed for any content. Herewith previous versions are no longer valid.

» Contact

More questions? – Great! Don't hesitate to contact our experts.

Manufacturer:

WEH GmbH Gas Technology

Josef-Henle-Str. 1

89257 Illertissen / Germany

Phone: +49 7303 95190-0

E-Mail: h2sales@weh.com

Website: www.weh.com