

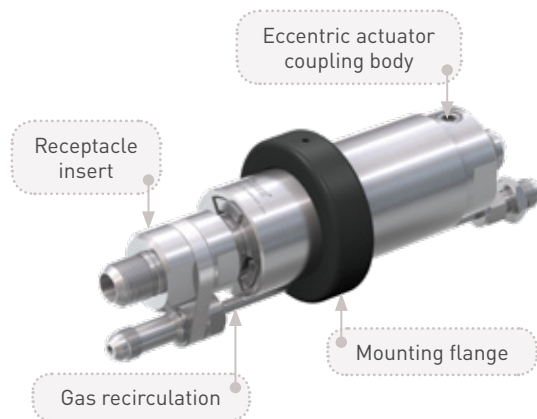
# Type **TSA6 H<sub>2</sub>**

**WEH<sup>®</sup> Inline breakaway coupling**  
for bus and truck fueling stations



General

DESCRIPTION



Features

- Re-usable without factory reservicing
- Installation inbetween the filling and venting hoses
- Small compact design
- Mounting flange
- Eccentric actuation via an allen wrench

The WEH® TSA6 H<sub>2</sub> Inline breakaway coupling which is installed inbetween the filling and venting hoses, is also available for bus and truck fueling stations. In the event of accidental deployment, e.g. driving a vehicle from the dispenser with the nozzle remaining in the vehicle fuel port, the coupling will separate the connections between dispenser and hose sealing both ends. This protects largely the receptacle, the fueling nozzle and the dispenser against damage. The detached coupling can be easily reattached and placed back in service after having been function tested.

The WEH® Breakaway coupling consists of a coupling body, a receptacle insert and a gas recirculation.

On request we also offer fueling assemblies consisting of a fueling nozzle, a hose set and an inline break-away coupling.

Application

Inline breakaway coupling for bus and truck fueling stations for installation inbetween the filling and venting hoses.

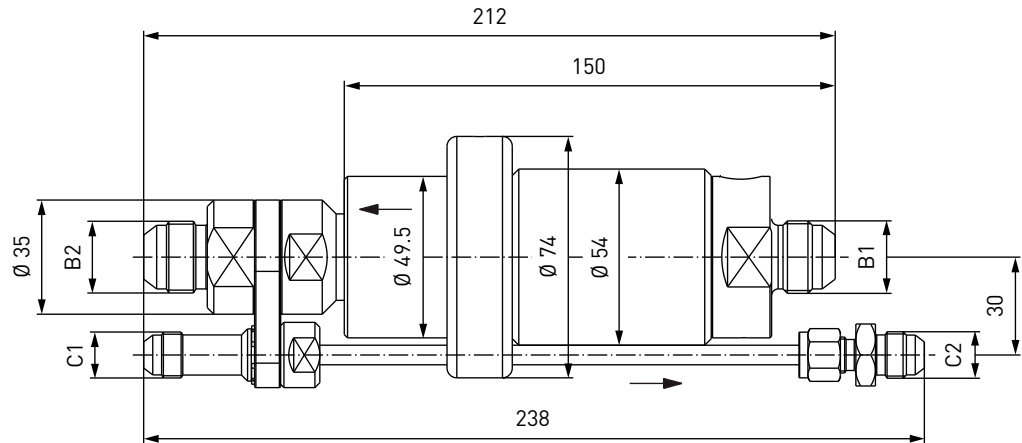
TECHNICAL DATA

| Characteristics   | Basic version                                  | Options    |
|-------------------|--|------------|
| Nominal bore (DN) | 12 mm  | On request |
| Pressure range    | PN = 35 MPa (5,000 psi)   PS = 45 MPa          |            |
| Temperature range | -40 °C up to +85 °C [-40 °F up to +185 °F]     | On request |
| Breakaway force   | 300 - 600 N                                    | On request |
| Material          | Corrosion resistant stainless steel, aluminium | On request |
| Sealing material  | Hydrogen resistant                             | On request |
| Design            | With gas recirculation                         | On request |

Ordering / Accessories

**ORDERING** | WEH® TSA6 H<sub>2</sub> Inline breakaway coupling with gas recirculation

approx. dimensions (mm)



| Part No.            | Description         | DN | Pressure (PN)      | B1/B2 (male thread) | C1/C2 (male thread) |
|---------------------|---------------------|----|--------------------|---------------------|---------------------|
| <b>C1-82323-X01</b> | TSA6 H <sub>2</sub> | 12 | 35 MPa / 5,000 psi | UNF 7/8"-14*        | UNF 9/16"-18*       |

\* acc. to SAE J514, 37°

**ACCESSORIES**

The following accessories are available for the WEH® TSA6 H<sub>2</sub> Inline breakaway coupling:

**Filling and venting hoses**

Suitable filling and venting hoses for the TSA6 H<sub>2</sub> inline breakaway coupling are available on request.

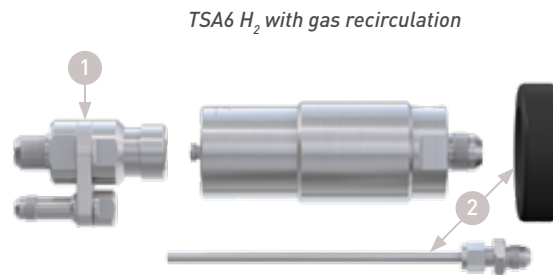
**Fittings**

Stainless steel fittings for connecting port 'B1/B2' to the filling hose resp. port 'C1/C2' to the venting hose are available on request.

Spare parts

**SPARE PARTS**

Various parts are available as spares for the WEH® TSA6 H<sub>2</sub> Inline breakaway coupling.



| Part No.            | Description   |
|---------------------|---|
| <b>W83706</b>       | 1 Receptacle insert for TSA6 H <sub>2</sub> with gas recirculation                                    |
| <b>B200B-119726</b> | Spare seal set for receptacle insert W83706   |
| <b>W139031</b>      | 2 Spare part set consisting of a mounting flange, gas recirculation tube and a firmly mounted fitting |

## Technical explanations

## TECHNICAL EXPLANATIONS

**Abbreviations/Definitions**

For explanation of abbreviations and definitions of terms see Technical Appendix of the corresponding catalog or [www.weh.com](http://www.weh.com)

**Illustrations**

The illustrations and/or images used in these data sheet are particularly provided for illustrative purposes only and may differ in some details from the actual product. For binding information, please refer to your individual orders.

**Safe product selection**

Our WEH® Products are designed to be operated by qualified professional users (insofar as WEH® Products are also designed to be operated by other users in individual cases, this is explicitly stated in the corresponding operating instructions). Please note that WEH does not know your system and therefore - also due to the large number of different potential applications of WEH® Products - cannot perform tests on all potential types of application. You alone are responsible for the selection, configuration and suitability of WEH® Products, especially according to the requirements of your system. Before purchasing WEH® Products, please particularly ensure that our products are compatible with your intended use, your performance data, your material and fluids, your system concept and your system limits according to our product specifications. Please also consider your technical and legal requirements for operation, handling and maintenance. The quality and safety of WEH® Products is our highest priority. For this reason, WEH® Products may not be used outside the specifications in the relevant data sheets and product descriptions. If you are not sure whether the WEH® Product is suitable for your system and intended use, please contact us in advance. We also strongly recommend that you refrain from using third-party spare parts or a combination of WEH® Products with unsuitable third-party products. You alone are responsible for reviewing the suitability of third-party products. WEH® Products and WEH® Spare parts comply with our quality and safety standards.

**Service life**

WEH® Products are generally products which may be subject to wear and fatigue during operation and depending on your individual application/use. For details - in particular regarding the corresponding minimum inspection and maintenance intervals - please refer to the respective operating instructions for the WEH® Product.

**Explanation on the Pressure Equipment Directive**

These WEH® Products are generally classified as pressure accessories in accordance with Article 2 (5) of the Pressure Equipment Directive 2014/68/EU and are considered to be similar to piping. These WEH® Products may not be used as safety accessories. Furthermore, it is pointed out, that these WEH® Products are designed and placed on the market in accordance with the requirements of Article 4 (3) of the Pressure Equipment Directive 2014/68/EU. The assessment with regard to a different classification can, however, be made on request.

**External change management**

WEH reserves the right to update, optimise and adjust its products continuously. This may result in corresponding changes of the product. Customers will be informed proactively or unsolicited by WEH only in individual cases about product updates, product optimisations and/or product adaptations that have been carried out. You are free to contact WEH at any time to request information about any product updates, product optimisations and/or product adjustments.

© All rights reserved, WEH GmbH. Any unauthorized use is strictly forbidden. Subject to alteration.  
No liability will be assumed for any content. Herewith previous versions are no longer valid.

**» Contact**

More questions? – Great! Don't hesitate to contact our experts.

Manufacturer:

**WEH GmbH Gas Technology**

Josef-Henle-Str. 1

89257 Illertissen / Germany

Phone: +49 7303 95190-0

E-Mail: [h2sales@weh.com](mailto:h2sales@weh.com)

Website: [www.weh.com](http://www.weh.com)