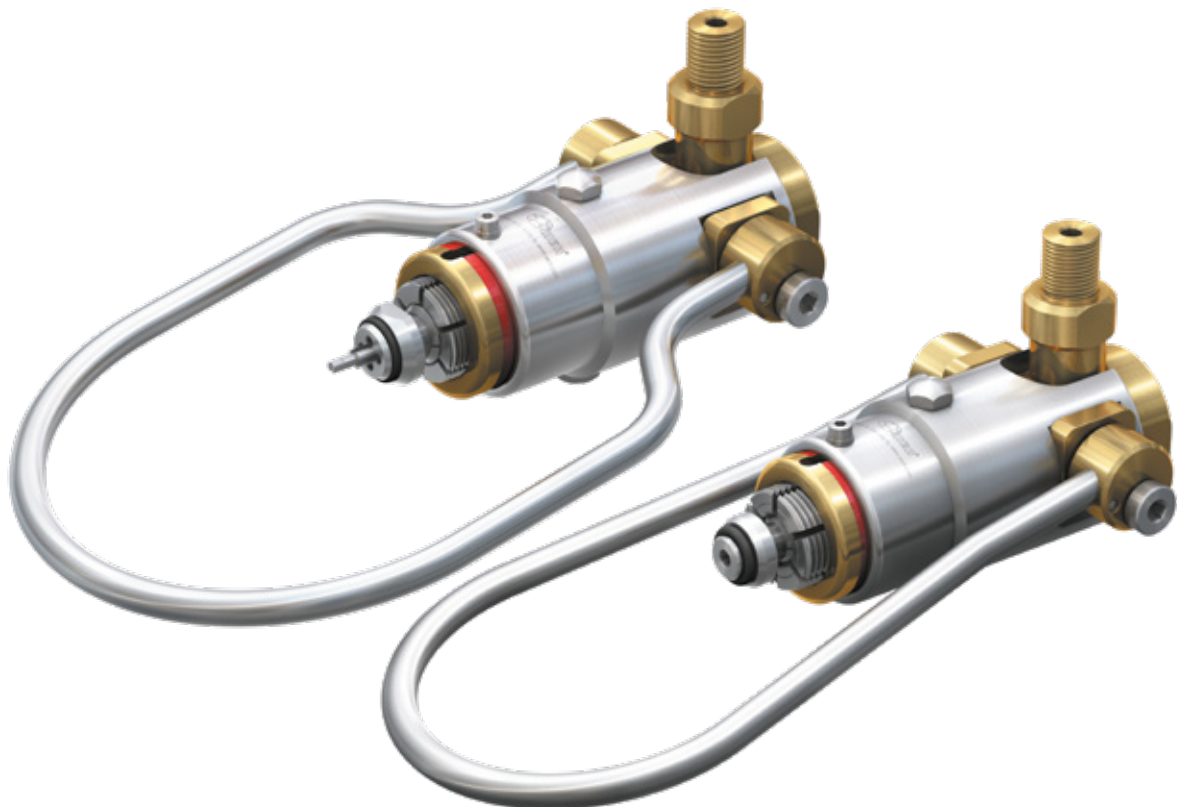


Type **TW54**

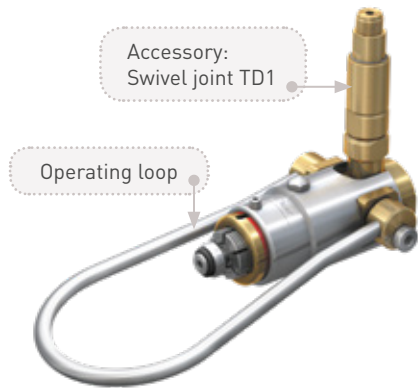
WEH[®] Connector for filling of gas cylinders

with internal thread (with or without a residual pressure valve)



General

DESCRIPTION



Features

- For gas cylinders with internal thread
- Version for **residual pressure valves or non-residual pressure valves** available
- Connection in seconds
- No hand tightening required
- Easy to connect
- Right-hand and left-hand operation
- Suitable for pallet filling
- WEH® Jaw locking mechanism
- Compact design
- High-grade materials

The type TW54 quick connector for gas cylinder valves with internal thread provides a pressure-tight connection in seconds. The split collet design system locks securely into the cylinder valve thread and seals tightly.

Safety features

A fully developed design with simple actuation controlling the functioning of the gas connector. The quick connector cannot be disconnected under pressure because a special safety peg protrudes and locks the connector against removal.

The TW54 quick connector has a red marking at the front part of the connector (see opposite picture) which shows when a proper connection has been made.

Type TW54 for oxygen has venting bores (see opposite picture) in the front sleeve for lateral venting of gas in case of accidental gas leakage, thus preventing pressure built-up in the connector.



TW54 with RPV pin and venting bores

The TW54 is available for 200 bar and 300 bar systems.

This quick connector is available for gas cylinder valves acc. to DIN, BS, NF, CGA etc. Connectors for oxygen applications are oxygen cleaned and free of oil and grease.

Application

Quick connector for filling of gas cylinders with internal thread (with or without a residual pressure valve).

TECHNICAL DATA

Characteristic	Basic version
Pressure range	PN = 200 bar PS = 250 bar PT = 375 bar PN = 300 bar PS = 375 bar PT = 565 bar
Temperature range	+5 °C up to +80 °C +5 °C up to +60 °C [O ₂]
Connection A	Internal thread connection acc. to the corresponding national standard e.g. DIN, CGA, BS, NF etc.
Medium	Oxygen, nitrogen, CO ₂ , air, inert gases, medical gases
Actuation	Manual actuation via operating loop (loop depending on type of gas cylinder)
Material	Corrosion resistant stainless steel, brass
Sealing material	Acc. to gas type
Design	With or without RPV pin
Registration	Adiabatic ignition test available

Other designs on request

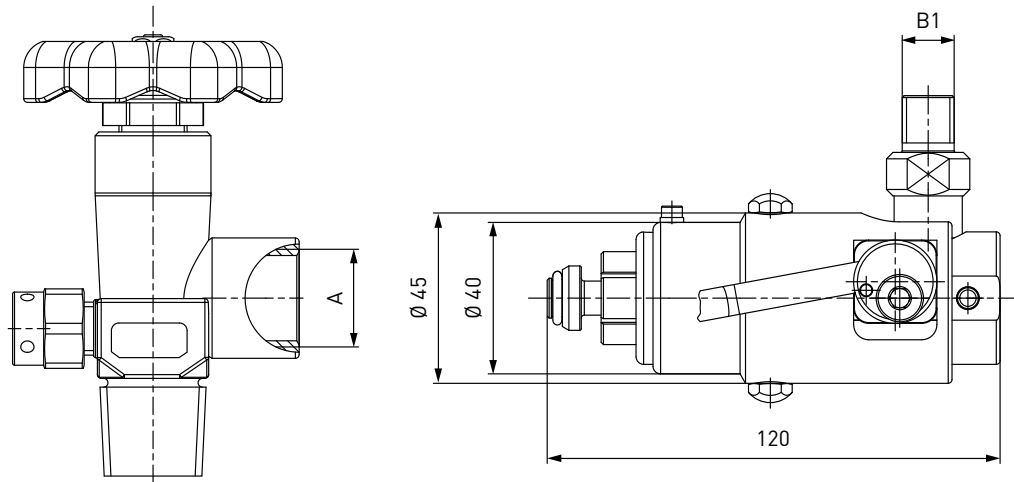
Example of use:



Ordering

ORDERING | Quick connector TW54 for non-residual pressure valves

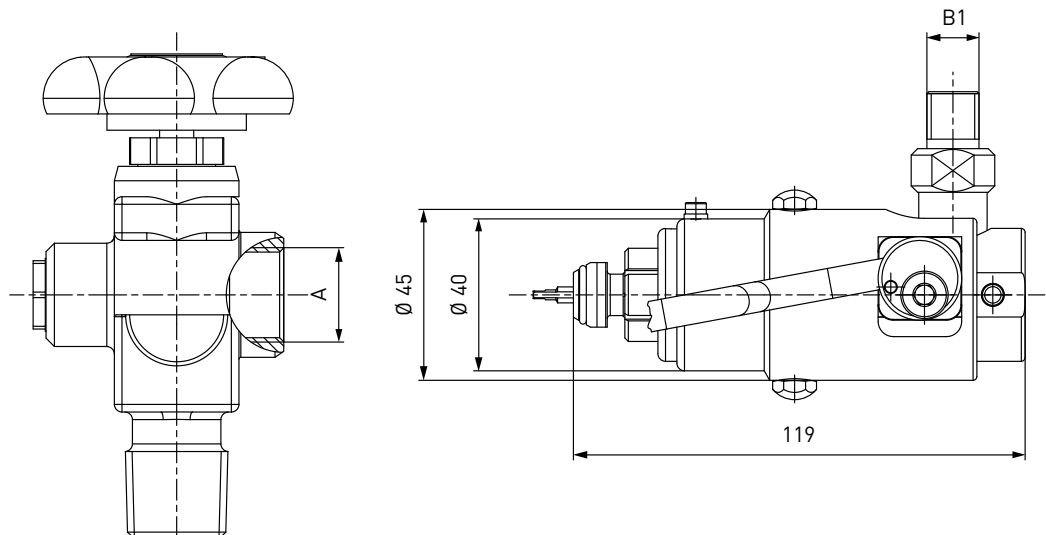
approx. dimensions (mm)



Part No.	Description	Pressure (PN)	Connection A	Inlet B1 (external thread)
On request	TW54	200 bar	On request	On request
On request	TW54	300 bar	On request	On request

ORDERING | Quick connector TW54 for residual pressure valves

approx. dimensions (mm)



Part No.	Description	Pressure (PN)	Connection A	Inlet B1 (external thread)
On request	TW54	200 bar	On request	On request
On request	TW54	300 bar	On request	On request

Other connector sizes and versions on request.

Required information for ordering see page 7, catalogue no. 20.

Accessories

ACCESSORIES

The following accessories are available for type TW54:

Swivel joint TD1

The TD1 swivel joint prevents twisting of the hose and enables the axial aligning of the connector.



Part No.	Description	Inlet B1 (external thread)	Connection B2 (internal thread)
On request	TD1	On request	On request

Quick release coupling TK350-TN350

Quick release system for a quick and easy changeover of type TW54, whether for repair, to another type or a change from residual pressure to non-residual pressure cylinder valves.



Part No.	Description	Inlet B1 (external thread)	Connection B2 (internal thread)
C1-91242-X01	TK350-TN350	M16x1.5	M16x1.5

Actuations

For type TW54 various actuations, e.g. loops, wire ropes, manual lever handles etc. are available in different sizes and forms. Please contact us!

Locking devices

Additional locking devices are also available for type TW54. Please contact us!

Connection for pressure gauges

Quick connector incl. pressure gauge connection and venting valve for pressure monitoring of filled gas cylinders.



Part No.	Description
On request	TW54 incl. pressure gauge connection and venting valve

Adaptors

Adaptors for connecting the quick connector to the filling hose are available on request.

Monel® construction

All pressurized parts are also available in Monel®. Please contact us!

Spare parts

Various parts are available as spares for type TW54:

Part No.	Description
On request	Spare seals

Other products

OTHER PRODUCTS

You will find more products in our current catalogue no. 20



Further information on our homepage
www.weh.com

Illustrations

The illustrations and / or images used in this data sheet are particularly provided for illustrative purposes only and may differ in some details from the actual product. For binding information, please refer to your individual orders.

Abbreviations/Definition

Explanation of abbreviations see technical appendix in the catalogue or www.weh.com

Safe product selection

Our WEH® Products are designed to be operated by qualified professional users (insofar as WEH® Products are also designed to be operated by other users in individual cases, this is explicitly stated in the corresponding operating instructions). You alone are responsible for the selection of WEH® Products and their configuration according to the requirements of your system. In doing so, please particularly consider your intended use, your performance data, your material compatibility, your system concept and your system limits as well as your technical and legal requirements for operation, handling and maintenance. The quality and safety of WEH® Products is our highest priority. For this reason, WEH® Products may not be used outside the specifications in the relevant data sheets and product descriptions. We also strongly recommend that you refrain from using third-party spare parts or a combination of WEH® Products with unsuitable third-party products. You alone are responsible for reviewing the suitability of third-party products. WEH® Products and WEH® Spare parts comply with our quality and safety standards.

Explanation on the Pressure Equipment Directive

These WEH® Products are generally and exclusively classified as pressure accessories for piping in accordance with Article 2 (5) of the Pressure Equipment Directive 2014/68/EU. These WEH® Products may not be used (i) as safety accessories or (ii) for vessels as defined by the Pressure Equipment Directive 2014/68/EU. Therefore, the application of these WEH® Products must comply with their classification as pressure accessories for piping. The assessment with regard to a different classification can, however, be made on request.

External change management

WEH reserves the right to update, optimise and adjust its products continuously. This may result in corresponding changes of the product. Customers will be informed proactively or unsolicited by WEH only in individual cases about product updates, product optimisations and/or product adaptations that have been carried out. You are free to contact WEH at any time to request information about any product updates, product optimisations and/or product adjustments.

© All rights reserved, WEH GmbH. Any unauthorized use is strictly forbidden. Subject to alteration.
No liability will be assumed for any content. Herewith previous versions are no longer valid.

» Contact

For queries and further information, please do not hesitate to contact us.

Manufacturer:

WEH GmbH Precision Connectors

Josef-Henle-Str. 1
89257 Illertissen / Germany

Phone: +49 7303 9609-0

Email: sales@weh.com

www.weh.com