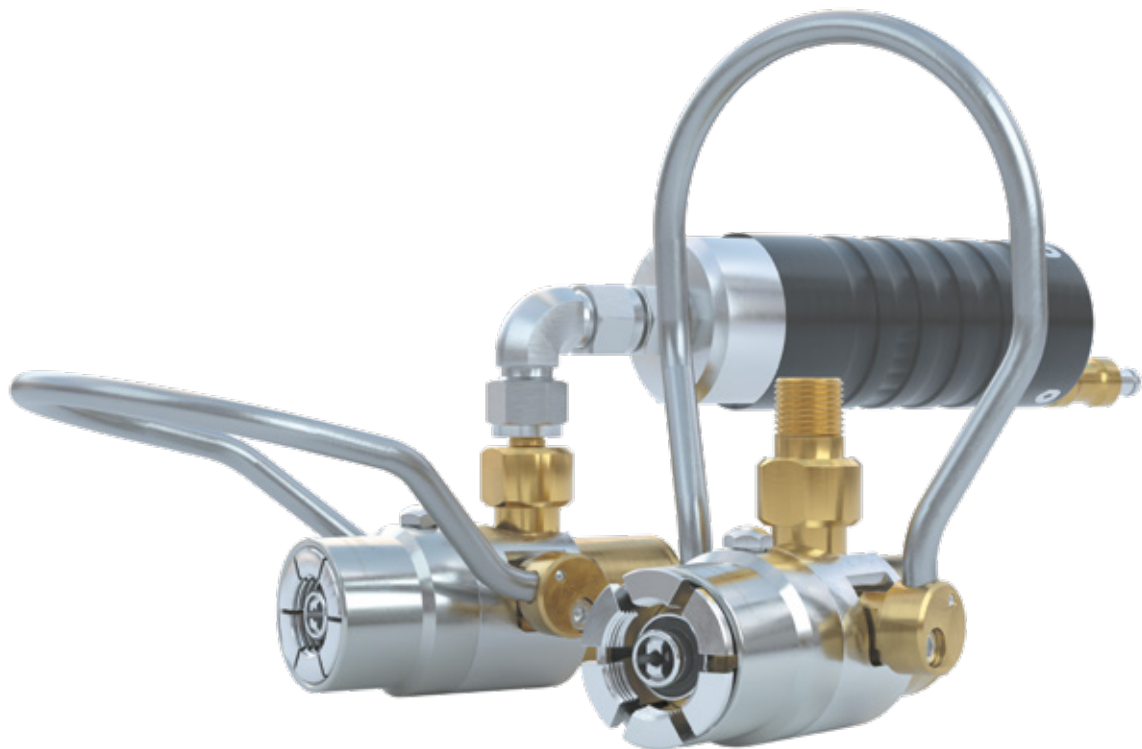


Type **TW920**

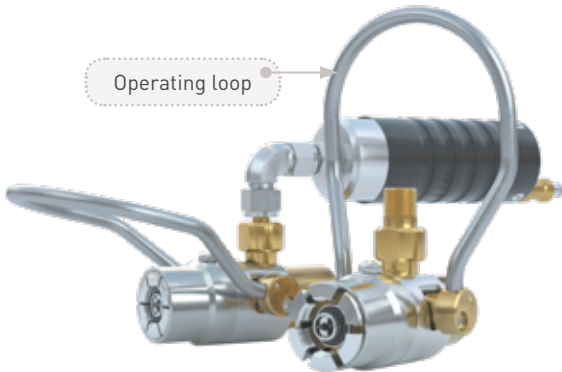
WEH[®] Connector for filling refrigerants

of cylinders with external thread and residual pressure valve



General

DESCRIPTION



Features

- For cylinder valves with external thread and residual pressure valve
- Connection in seconds
- No hand tightening required
- Simplifies the connecting and filling procedure
- Suitable for right or left handed operation
- Pin within the valve is actuated automatically
- RPV is not removed from the valve so it can be used again
- WEH® Jaw locking mechanism

The WEH® TW920 Quick connector for filling refrigerants overcomes the need to remove the cylinder valve cartridge when filling thus facilitating cylinder connection and filling.

When applying pressure, the piston of the WEH® Connector moves forward and pulls out the pin of the residual pressure valve. Then filling procedure can start.

WEH® TW920 with pneumatic linear valve

As an option the TW920 quick connector is available with an integrated pneumatic linear valve with a sliding sleeve valve for the pilot pressure port 'P1' and a venting port 'C1'. In order to vent back the residual gas, a venting line can also be fitted.



TW920 with linear valve

The WEH® TW920 is equipped with a HNBR front seal. Other sealing materials on request. It is the customer's responsibility to clarify the media compatibility.

Application

Quick connector for filling refrigerants of cylinders with external thread and residual pressure valve.

TECHNICAL DATA

Characteristic	Basic version
Max. allowable operating pressure PS	40 bar
Pilot pressure	6 - 8 bar (for opening residual pressure valve)
Temperature range	-10 °C up to +80 °C
Connection A	W21.8x1/14" for special cylinder valve with pin to pull out
Actuation	Manual actuation via operating loop (loop depending on type of cylinder valve)
Material	Brass and corrosion-resistant stainless steel; protection sleeve (linear valve) of POM
Sealing material	Front seal of HNBR

Other designs on request

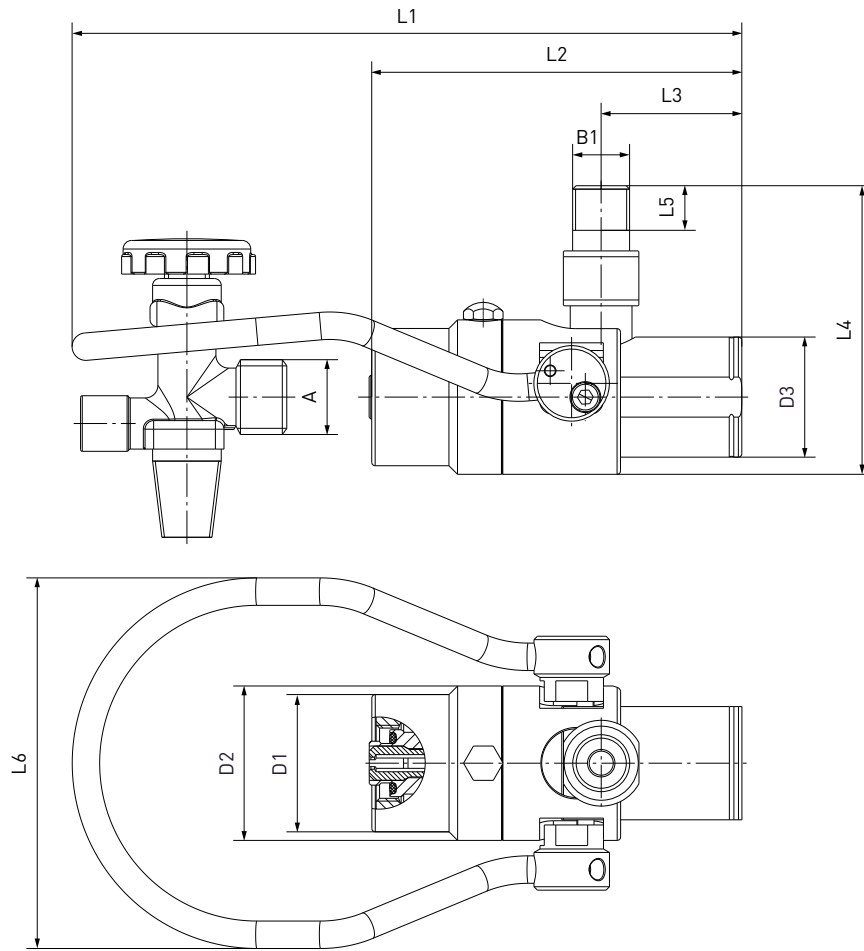
Example of use:



Ordering

ORDERING | WEH® TW920 Quick connector

approx. dimensions (mm)

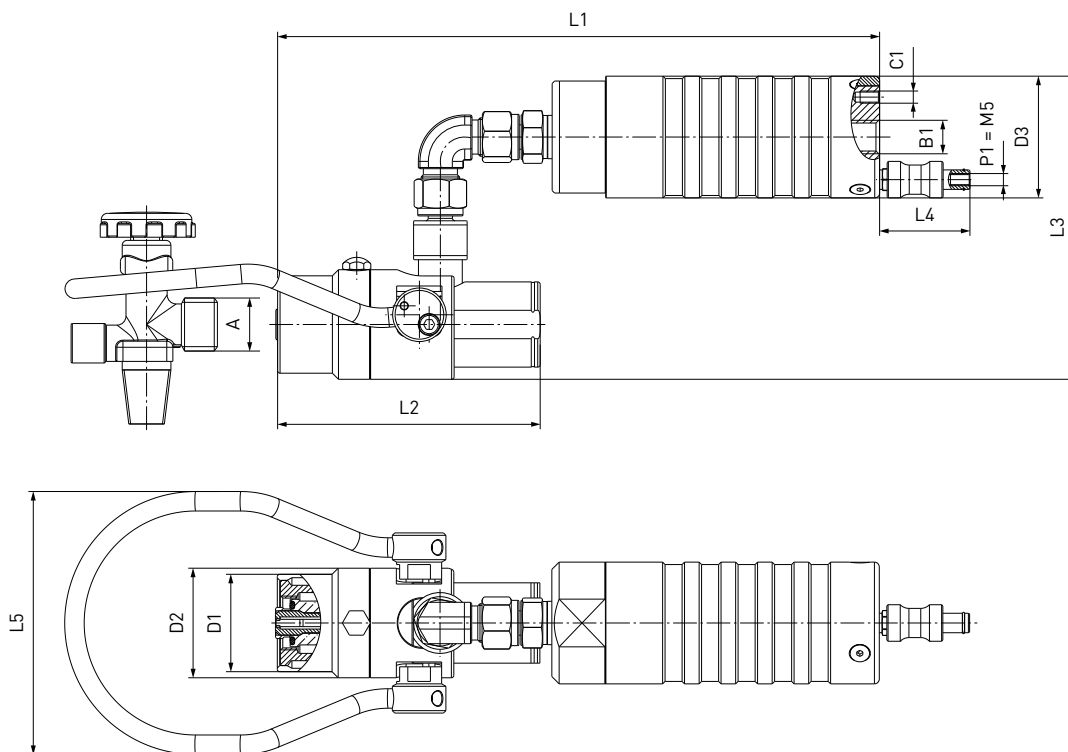


Part No.	Description	A (external thread)	B1 (external thread)	D1	D2	D3	L1	L2	L3	L4	L5	L6
C1-77826	TW920	W21.8x1/14"	NPT 3/8"	40	45	35	195	108	41	84	13	108

Ordering / Accessories

ORDERING | WEH® TW920 Quick connector with pneumatic linear valve

approx. dimensions (mm)



Part No.	Description	A (external thread)	B1 (internal thread)	C1 (internal thread)	D1	D2	D3	L1	L2	L3	L4	L5
C1-48037	TW920 incl. linear valve	W21.8x1/14"	G1/4"	M5	40	45	50	247.5	108	124.5	37	108

Other connector sizes and versions on request.

Required information for ordering see page 7, catalogue no. 40.

ACCESSORIES

The following accessories are available for the WEH® TW920:

WEH® TD1 Swivel joint

The TD1 swivel joint prevents twisting of the hose and enables the axial aligning of the connector.



Part No.	Description	B1	B2
On request	TD1	On request	On request

Accessories / Spare parts

Actuations

For the TW920 various actuations, e.g. loops, wire ropes etc. are available in different sizes and forms. Please contact us!

Adaptors

Adaptors for connecting the quick connector to the filling hose are available on request.

SPARE PARTS

Various parts are available as spares for the TW920 quick connector:

Part No.	Description
On request	Front seal

When ordering the front seal, please indicate the part no. engraved on the connector.

Other products

OTHER PRODUCTS

You will find more products in our current catalogue no. 40



Further information on our homepage
www.weh.com

Abbreviations/Definition

Explanation of abbreviations see technical appendix in the catalogue or www.weh.com

Safe product selection

Our WEH® Products are designed to be operated by qualified professional users (insofar as WEH® Products are also designed to be operated by other users in individual cases, this is explicitly stated in the corresponding operating instructions). You alone are responsible for the selection of WEH® Products and their configuration according to the requirements of your system. In doing so, please particularly consider your intended use, your performance data, your material compatibility, your system concept and your system limits as well as your technical and legal requirements for operation, handling and maintenance. The quality and safety of WEH® Products is our highest priority. For this reason, WEH® Products may not be used outside the specifications in the relevant Product data sheets and product descriptions. We also strongly recommend that you refrain from using third-party spare parts or a combination of WEH® Products with unsuitable third-party products. You alone are responsible for reviewing the suitability of third-party products. WEH® Products and WEH® Spare parts comply with our quality and safety standards.

Explanation on the Pressure Equipment Directive

These WEH® Products are generally and exclusively classified as pressure accessories for piping in accordance with Article 2 (5) of the Pressure Equipment Directive 2014/68/EU. These WEH® Products may not be used (i) as safety accessories or (ii) for vessels as defined by the Pressure Equipment Directive 2014/68/EU. Therefore, the application of these WEH® Products must comply with their classification as pressure accessories for piping. The assessment with regard to a different classification can, however, be made on request.

External change management

WEH reserves the right to update, optimise and adjust its products continuously. This may result in corresponding changes of the product. Customers will be informed proactively or unsolicited by WEH only in individual cases about product updates, product optimisations and/or product adaptations that have been carried out. You are free to contact WEH at any time to request information about any product updates, product optimisations and/or product adjustments.

© All rights reserved, WEH GmbH. Any unauthorized use is strictly forbidden. Subject to alteration.
No liability will be assumed for any content. Herewith previous versions are no longer valid.

» Contacting

For queries and further information, please do not hesitate to contact us.

Manufacturer:

WEH GmbH Precision Connectors

Josef-Henle-Str. 1
89257 Illertissen / Germany

Phone: +49 7303 9609-0
Fax: +49 7303 9609-9999

Email: sales@weh.com
www.weh.com