

Type **TW110**

WEH[®] Connector for filling and evacuating refrigerants

in automotive air conditioning equipment



General

DESCRIPTION



Features

- Connection in seconds
- No hand tightening required
- WEH® Jaw locking mechanism
- High-grade materials

The WEH® TW110 Quick Connector is specifically designed for filling and evacuating refrigerants in automotive air conditioning equipment.

The integrated shut-off valve and a minimal residual volume give good environmental performance. The TW110 is constructed from corrosion-resistant stainless steel. The connector is ideal for continuous operation due to its compact design.

Application

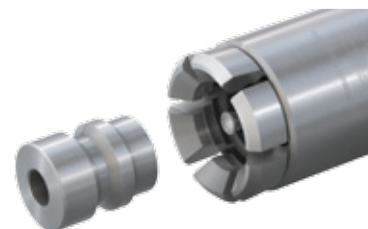
Quick connector for filling and evacuating refrigerants in automotive air conditioning equipment.

TECHNICAL DATA

Characteristic	Basic version
Operating pressure PS	Max. 35 bar
Temperature range	-10 °C up to +80 °C
Medium	Refrigerants (please indicate when ordering)
Actuation	Manual actuation via sliding sleeve
Material	Corrosion-resistant stainless steel
Sealing material	Dependant on medium
Design	Incl. integrated shut-off valve

Other designs on request

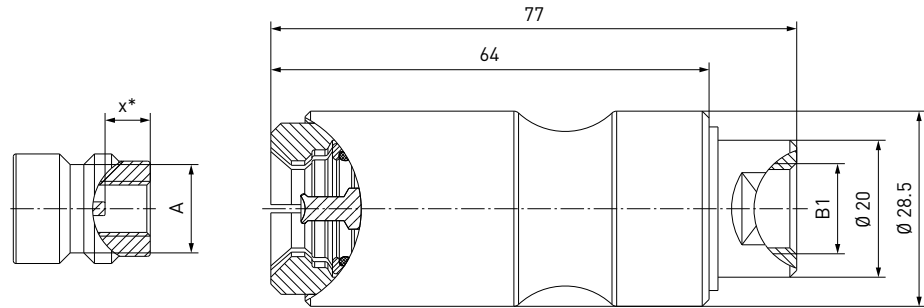
Example of use:



Ordering

ORDERING | WEH® TW110 Quick Connector

approx. dimensions (mm)



Part No.	Description	Connection A	Inlet B1 (internal thread)
C1-1748	TW110	Ø 11	G1/4"
C1-1749	TW110	Ø 13	G1/4"

* The connection depth of each customer's receptacle valve may vary. Therefore a sample or dimensioned drawing is needed for each order

Other connector sizes and versions on request.

Other products

OTHER PRODUCTS

You will find more products in our current catalogue no. 40



Further information on our homepage
www.weh.com

© All rights reserved, WEH GmbH 2014. Any unauthorized use is strictly forbidden. Subject to alteration. No liability will be assumed for any content. Herewith previous versions are no longer valid.

» Contacting

For queries and further information, please do not hesitate to contact us.

Manufacturer:

WEH GmbH Precision Connectors

Josef-Henle-Str. 1
89257 Illertissen / Germany

Phone: +49 7303 9609-0
Fax: +49 7303 9609-9999

Email: sales@weh.com
www.weh.com