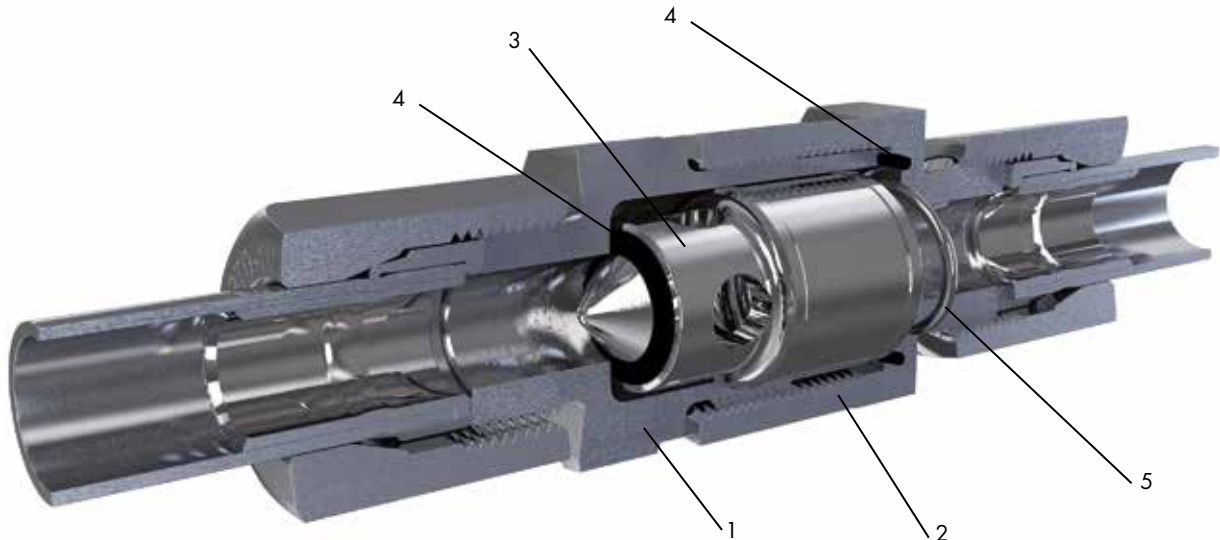


Kegelrückschlagventil
Soupape de retenue à siège conique
Taper seat non-return valve

SO CV 53B21



| Nr. No. No. | Bezeichnung Désignation Description | Material Matériau Material | Nr. No. No. | Bezeichnung Désignation Description | Material Matériau Material | Nr. No. No. | Bezeichnung Désignation Description | Material Matériau Material |
|-------------|--|----------------------------|-------------|--|----------------------------|-------------|--|----------------------------|
| 1 | Ventilkegelführung Guidage de cône de soupape Valve cone guide | 1.4571 | 3 | Ventilkegel Cône de soupape Valve cone | 1.4571 | 5* | Druckfeder Ressort de compression Compression spring | 1.4401 |
| 2 | Ventilmutter Écrou de soupape Valve nut | 1.4571 | 4* | Dichtung Joint Seal | FKM | | | |

Spezifikationen

Betriebsdruck (PN): 100 bis 200 bar
 Temperatur: -20°C bis +180°C
 Öffnungsdruck: 1 bar +/- 20 %
 Sicherheitsfaktor: 1.5-fach

Merkmale

- Funktion: Rückflussverhinderer
- Einsatz: Luft, Öle und Flüssiggase (Beständigkeit Dichtung beachten)
- Material: Edelstahl 1.4571

*** Optionen**

- Nr. 4 - Dichtung: EPDM, FFKM
- Nr. 5 - Druckfeder: Öffnungsdruck 0.2, 0.5, 2, 3 bar, +/- 20 %
- Varianten: mit Übergangsmuffe SO 50030 oder Übergangsnippel SO 50040

Spécifications

Pression de service (PN): 100 à 200 bar
 Température: -20°C à +180°C
 Pression d'ouverture: 1 bar +/- 20 %
 Facteur de sécurité: 1.5 fois

Caractéristiques

- Fonction: clapet anti-retour
- Application: air, huiles et gaz liquéfiés (tenir compte de la résistance de l'étanchéité)
- Matériau: acier inoxydable 1.4571

*** Options**

- No. 4 - Joint: EPDM, FFKM
- No. 5 - Ressort de compression: pression d'ouverture 0.2, 0.5, 2, 3 bar, +/- 20 %
- Autres versions: avec adaptateur femelle SO 50030 ou mâle SO 50040

Specifications

Working pressure (PN): 100 to 200 bar
 Temperature: -20°C to +180°C
 Opening pressure: 1 bar +/- 20 %
 Safety factor: 1.5 times

Characteristics

- Function: check valve
- Uses: air, oils and liquid gases (check resistance of seal)
- Material: stainless steel 1.4571

*** Options**

- No. 4 - Seal: EPDM, FFKM
- No. 5 - Compression spring: opening pressure 0.2, 0.5, 2, 3 bar, +/- 20 %
- Other versions: with female SO 50030 or male adaptor SO 50040

Ventile Edelstahl

Vannes acier inoxydable

Valves stainless

Durchflussdiagramm

Der Druckabfall nimmt mit zunehmendem Durchfluss überproportional zu.

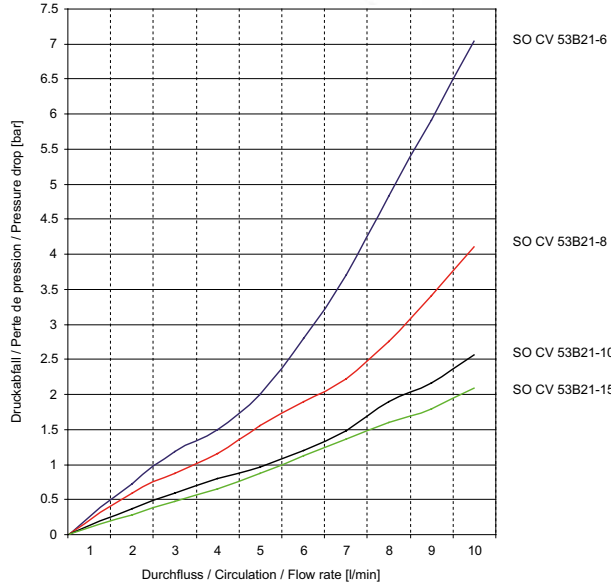
Courbe de débit

La perte de pression augmente disproportionnellement avec plus de débit.

Flow rate

The pressure drop increases disproportionately with increasing flow rate.

SO CV 53B21



Öffnungsdruckdiagramm

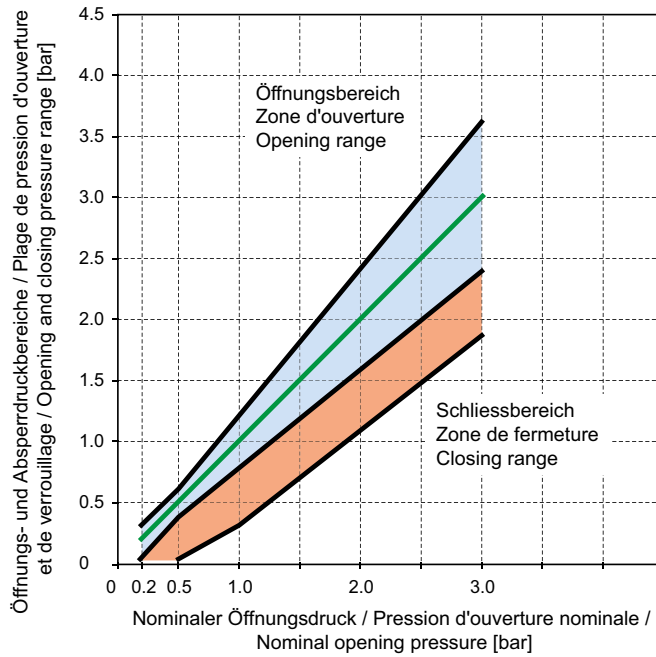
Der Öffnungsdruck bewegt sich im blau skizzierten Bereich. Das Ventil schliesst im rot skizzierten Bereich.

Courbe de pression d'ouverture

La pression d'ouverture se trouve dans la zone indiquée en bleu. La vanne se ferme dans la zone indiquée en rouge.

Opening pressure diagram

The opening pressure ranges within the blue section. The valve closes within the red section.



Sonderausführungen

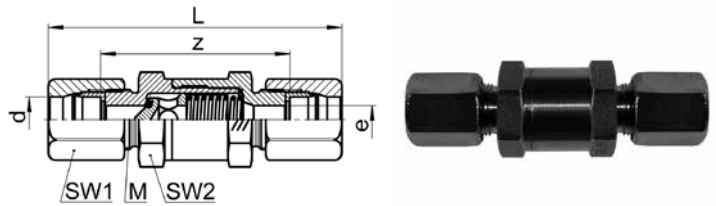
siehe Kapitelübersicht

Exécutions en option

voir aperçu du chapitre

Optional services

see chapter overview

Kegelrückschlagventil
Soupape de retenue à siège conique
Taper seat non-return valve

SO CV 53B21

| Type-d | Mat.-Nr. | bar | M | SW1 | SW2 | L | z | e | kg/100 |
|---------------------|----------------------|------------------|--------|-----|-----|------|------|------|--------|
| Für metrische Rohre | Pour tubes métriques | For metric tubes | | | | | | | |
| * SO CV 53B21-4 | 068.3010.040 | 200 | 10x1 | 12 | 17 | 53.5 | 38.5 | 3.0 | 6.000 |
| * SO CV 53B21-5 | 068.3010.050 | 200 | 10x1 | 12 | 17 | 53.5 | 38.5 | 3.8 | 6.000 |
| # SO CV 53B21-6 | 068.3010.060 | 200 | 10x1 | 12 | 17 | 53.5 | 38.5 | 3.8 | 5.900 |
| # SO CV 53B21-8 | 068.3010.080 | 200 | 12x1 | 14 | 19 | 60.5 | 44.0 | 5.8 | 8.000 |
| SO CV 53B21-10 | 068.3010.100 | 160 | 14x1 | 17 | 22 | 73.5 | 51.0 | 7.5 | 13.000 |
| SO CV 53B21-12 | 068.3010.120 | 100 | 16x1 | 19 | 22 | 75.5 | 51.0 | 7.5 | 28.000 |
| * SO CV 53B21-14 | 068.3010.140 | 100 | 20x1.5 | 24 | 30 | 86.5 | 58.5 | 11.0 | 27.000 |
| SO CV 53B21-15 | 068.3010.150 | 100 | 20x1.5 | 24 | 30 | 86.5 | 58.5 | 11.0 | 28.000 |
| Für Zollrohre | Pour tubes pouces | For inch tubes | | | | | | | |
| # SO CV 53B21-6,35 | 068.3010.063 | 200 | 10x1 | 12 | 17 | 53.5 | 38.5 | 3.8 | 5.900 |
| SO CV 53B21-9,52 | 068.3010.095 | 160 | 14x1 | 17 | 22 | 73.5 | 51.0 | 7.5 | 13.000 |
| * SO CV 53B21-12,7 | 068.3010.127 | 100 | 20x1.5 | 24 | 30 | 86.5 | 58.5 | 11.0 | 27.000 |

d=Rohraussen-ø
 kv=Kenngröße für das Durchflussverhalten (l/min)
 L=Mass in montiertem Zustand
 #=ECE R110 Zulassung, No.E4-110R-000144
 *=mit reduziertem Klemmring

d=ø extérieur du tube
 kv=facteur d'écoulement (l/min)
 L=après montage
 #=ECE R110 homologation, No. E4-110R-000144
 *=avec bague de serrage de réduction

d=tube outside diameter
 kv=flow factor (l/min)
 L=installed length
 #=ECE R110 approval, no. E4-110R-000144
 *=with reduced compression ferrule

Kegelrückschlagventil

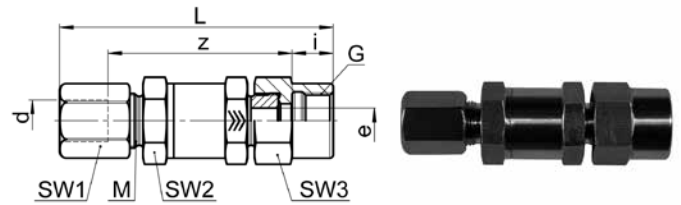
mit Übergangsmuffe SO 50030

Soupape de retenue à siège conique

avec adaptateur femelle SO 50030

Taper seat non-return valve

with female adaptor SO 50030



SO CV 53B30

| Type d-G | Mat.-Nr. | bar | M | SW1 | SW2 | SW3 | L | i | z | e | kg/100 |
|-----------------------------|----------------------------------|-----|--------|-------------------------|-----|-----|------|------|------|------|--------|
| Für metrische Rohre | Pour tubes métriques | | | For metric tubes | | | | | | | |
| G=Rohrgewinde (zylindrisch) | G=Filetage-gaz BSP (cylindrique) | | | G=BSP thread (straight) | | | | | | | |
| ★ SO CV 53B30-4-1/8 | 068.3011.060 | 200 | 10x1 | 12 | 17 | 14 | 59.0 | 10.0 | 41.5 | 3.5 | 6.000 |
| ★ SO CV 53B30-5-1/8 | 068.3011.082 | 200 | 10x1 | 12 | 17 | 14 | 59.0 | 10.0 | 41.5 | 3.8 | 6.000 |
| # SO CV 53B30-6-1/8 | 068.3011.100 | 200 | 10x1 | 12 | 17 | 14 | 59.0 | 10.0 | 41.5 | 3.8 | 6.000 |
| # SO CV 53B30-6-1/4 | 068.3011.110 | 200 | 10x1 | 12 | 17 | 17 | 66.5 | 11.0 | 46.5 | 3.8 | 7.000 |
| # SO CV 53B30-8-1/8 | 068.3011.160 | 200 | 12x1 | 14 | 19 | 17 | 65.0 | 10.0 | 46.5 | 5.8 | 8.900 |
| # SO CV 53B30-8-1/4 | 068.3011.170 | 200 | 12x1 | 14 | 19 | 17 | 67.0 | 12.0 | 48.0 | 5.8 | 8.500 |
| # SO CV 53B30-8-3/8 | 068.3011.180 | 160 | 12x1 | 14 | 19 | 22 | 67.0 | 11.0 | 46.5 | 5.8 | 10.000 |
| SO CV 53B30-10-1/4 | 068.3011.270 | 160 | 14x1 | 17 | 22 | 17 | 76.0 | 12.0 | 53.5 | 7.5 | 12.000 |
| SO CV 53B30-10-3/8 | 068.3011.280 | 160 | 14x1 | 17 | 22 | 22 | 77.0 | 12.0 | 53.5 | 7.5 | 14.000 |
| SO CV 53B30-12-1/2 | 068.3011.400 | 160 | 16x1 | 19 | 22 | 27 | 79.0 | 12.0 | 53.5 | 7.5 | 18.000 |
| ★ SO CV 53B30-14-1/2 | 068.3011.504 | 100 | 20x1.5 | 24 | 30 | 27 | 95.0 | 12.0 | 67.5 | 11.0 | 28.700 |
| SO CV 53B30-15-1/2 | 068.3011.534 | 100 | 20x1.5 | 24 | 30 | 27 | 90.0 | 12.0 | 62.5 | 11.0 | 28.000 |
| SO CV 53B30-15-3/4 | 068.3011.536 | 100 | 20x1.5 | 24 | 30 | 32 | 98.0 | 15.0 | 67.5 | 11.0 | 32.500 |

| Für Zollrohre | Pour tubes pouces | | | For inch tubes | | | | | | | |
|------------------------|-------------------|-----|--------|----------------|----|----|------|------|------|------|--------|
| # SO CV 53B30-6,35-1/8 | 068.3011.135 | 200 | 10x1 | 12 | 17 | 14 | 59.0 | 10.0 | 41.5 | 3.8 | 6.000 |
| SO CV 53B30-9,52-1/4 | 068.3011.230 | 160 | 14x1 | 17 | 22 | 17 | 76.0 | 12.0 | 53.5 | 7.5 | 12.000 |
| SO CV 53B30-9,52-3/8 | 068.3011.235 | 160 | 14x1 | 17 | 22 | 22 | 77.0 | 12.0 | 53.5 | 7.5 | 14.000 |
| SO CV 53B30-12,7-1/2 | 068.3011.434 | 100 | 20x1.5 | 24 | 30 | 27 | 90.0 | 12.0 | 62.5 | 11.0 | 28.000 |

d=Rohrassens-ø
 kv=Kenngröße für das Durchflussverhalten (l/min)
 L=Mass in montiertem Zustand
 #=ECE R110 Zulassung, No.E4-110R-000144
 *=mit reduziertem Klemmring

d=ø extérieur du tube
 kv=facteur d'écoulement (l/min)
 L=après montage
 #=ECE R110 homologation, No. E4-110R-000144
 *=avec bague de serrage de réduction

d=tube outside diameter
 kv=flow factor (l/min)
 L=installed length
 #=ECE R110 approval, no. E4-110R-000144
 *=with reduced compression ferrule

Kegelrückschlagventil

mit Übergangsnippel SO 50040

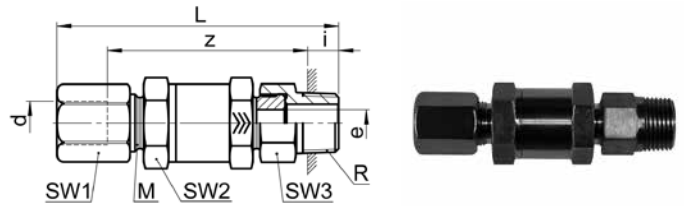
Soupape de retenue à siège conique

avec adaptateur mâle SO 50040

Taper seat non-return valve

with male adaptor SO 50040

SO CV 53B40



| Type -d-R | Mat.-Nr. | bar | M | SW1 | SW2 | SW3 | L | i | z | e | kg/100 | |
|-------------------------|------------------------------|-----|--------|------------------------|-----|-----|------|------|------|------|--------|--|
| Für metrische Rohre | Pour tubes métriques | | | For metric tubes | | | | | | | | |
| R=Rohrgewinde (kegelig) | R=Filetage-gaz BSP (conique) | | | R=BSP thread (tapered) | | | | | | | | |
| ★ SO CV 53B40-4-1/8 | 068.3012.060 | 200 | 10x1 | 12 | 17 | 12 | 56.0 | 5.0 | 43.0 | 3.5 | 5.000 | |
| ★ SO CV 53B40-4-1/4 | 068.3012.065 | 200 | 10x1 | 12 | 17 | 14 | 60.0 | 8.0 | 44.0 | 3.5 | 6.000 | |
| ★ SO CV 53B40-5-1/8 | 068.3012.082 | 200 | 10x1 | 12 | 17 | 12 | 56.0 | 5.0 | 43.0 | 3.8 | 5.000 | |
| ★ SO CV 53B40-5-1/4 | 068.3012.084 | 200 | 10x1 | 12 | 17 | 14 | 60.0 | 8.0 | 44.0 | 3.8 | 6.000 | |
| # SO CV 53B40-6-1/8 | 068.3012.100 | 200 | 10x1 | 12 | 17 | 12 | 56.0 | 5.0 | 43.0 | 3.8 | 5.300 | |
| # SO CV 53B40-6-1/4 | 068.3012.110 | 200 | 10x1 | 12 | 17 | 14 | 60.0 | 8.0 | 44.0 | 3.8 | 6.300 | |
| # SO CV 53B40-8-1/8 | 068.3012.160 | 200 | 12x1 | 14 | 19 | 14 | 62.0 | 5.0 | 48.5 | 5.8 | 7.300 | |
| # SO CV 53B40-8-1/4 | 068.3012.170 | 200 | 12x1 | 14 | 19 | 14 | 66.0 | 8.0 | 49.5 | 5.8 | 7.800 | |
| # SO CV 53B40-8-3/8 | 068.3012.180 | 160 | 12x1 | 14 | 19 | 17 | 66.0 | 8.0 | 49.5 | 5.8 | 9.000 | |
| # SO CV 53B40-8-1/2 | 068.3012.185 | 160 | 12x1 | 14 | 19 | 22 | 70.0 | 10.0 | 51.5 | 5.8 | 10.000 | |
| SO CV 53B40-10-1/4 | 068.3012.270 | 160 | 14x1 | 17 | 22 | 17 | 76.0 | 8.0 | 56.5 | 7.5 | 11.000 | |
| SO CV 53B40-10-3/8 | 068.3012.280 | 160 | 14x1 | 17 | 22 | 17 | 76.0 | 8.0 | 56.5 | 7.5 | 12.000 | |
| SO CV 53B40-10-1/2 | 068.3012.285 | 160 | 14x1 | 17 | 22 | 22 | 77.0 | 10.0 | 55.5 | 7.5 | 14.500 | |
| SO CV 53B40-12-1/2 | 068.3012.400 | 160 | 16x1 | 19 | 22 | 22 | 80.0 | 10.0 | 58.5 | 7.5 | 15.500 | |
| ★ SO CV 53B40-14-1/2 | 068.3012.504 | 100 | 20x1.5 | 24 | 30 | 24 | 95.0 | 10.0 | 67.5 | 11.0 | 26.300 | |
| SO CV 53B40-15-1/2 | 068.3012.534 | 100 | 20x1.5 | 24 | 30 | 24 | 90.0 | 10.0 | 67.5 | 11.0 | 26.000 | |
| SO CV 53B40-15-3/4 | 068.3012.536 | 100 | 20x1.5 | 24 | 30 | 27 | 90.5 | 9.5 | 66.5 | 11.0 | 26.500 | |

| Für Zollrohre | Pour tubes pouces | | | For inch tubes | | | | | | | | |
|------------------------|-------------------|-----|--------|----------------|----|----|------|------|------|------|--------|--|
| # SO CV 53B40-6,35-1/8 | 068.3012.135 | 200 | 10x1 | 12 | 17 | 12 | 56.0 | 5.0 | 38.5 | 3.8 | 5.300 | |
| # SO CV 53B40-6,35-1/4 | 068.3012.140 | 200 | 10x1 | 12 | 17 | 14 | 60.0 | 8.0 | 38.5 | 3.8 | 6.300 | |
| SO CV 53B40-9,52-1/4 | 068.3012.230 | 160 | 14x1 | 17 | 22 | 17 | 76.0 | 8.0 | 51.0 | 7.5 | 11.000 | |
| SO CV 53B40-9,52-3/8 | 068.3012.235 | 160 | 14x1 | 17 | 22 | 17 | 76.0 | 8.0 | 51.0 | 7.5 | 12.000 | |
| SO CV 53B40-9,52-1/2 | 068.3012.240 | 160 | 14x1 | 17 | 22 | 22 | 77.0 | 10.0 | 51.0 | 7.5 | 14.500 | |
| SO CV 53B40-12,7-1/2 | 068.3012.434 | 100 | 20x1.5 | 24 | 30 | 24 | 90.0 | 10.0 | 58.5 | 11.0 | 26.000 | |

d=Rohrassens-ø
 kv=Kenngröße für das Durchflussverhalten (l/min)
 L=Mass in montiertem Zustand
 #=ECE R110 Zulassung, No.E4-110R-000144
 *=mit reduziertem Klemmring

d=ø extérieur du tube
 kv=facteur d'écoulement (l/min)
 L=après montage
 #=ECE R110 homologation, No. E4-110R-000144
 *=avec bague de serrage de réduction

d=tube outside diameter
 kv=flow factor (l/min)
 L=installed length
 #=ECE R110 approval, no. E4-110R-000144
 *=with reduced compression ferrule